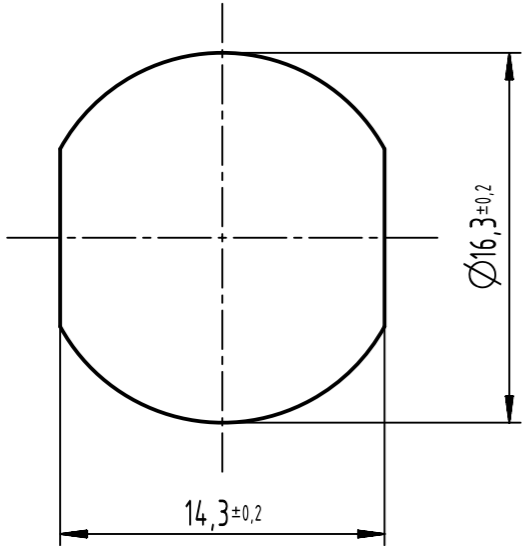


panel cut out



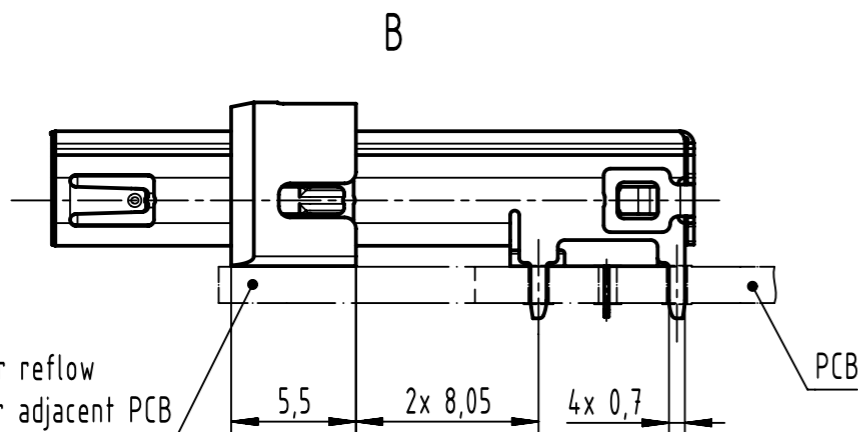
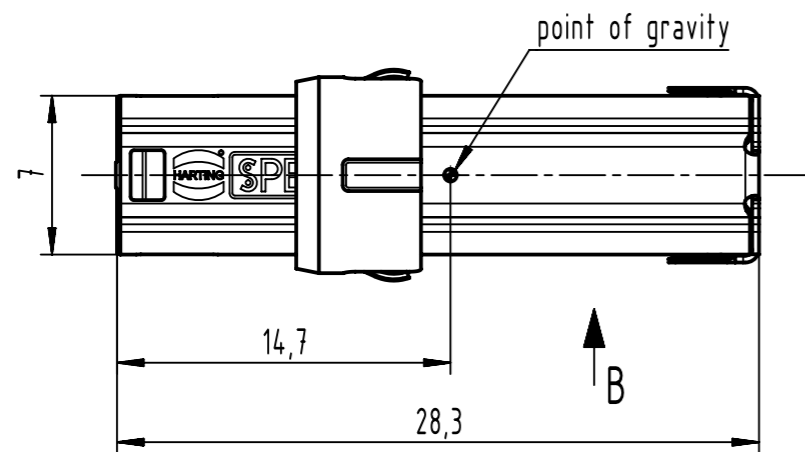
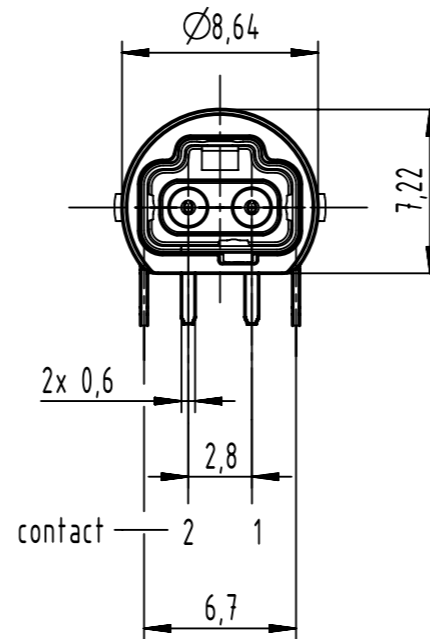
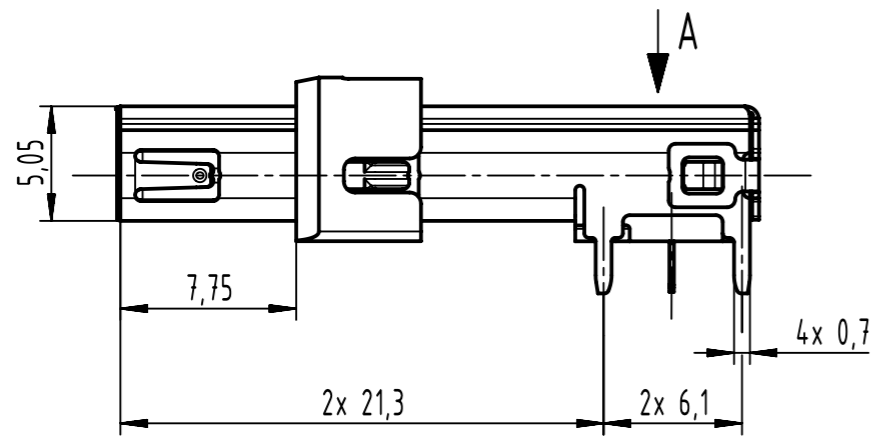
SW18
width across
flats 18

seal

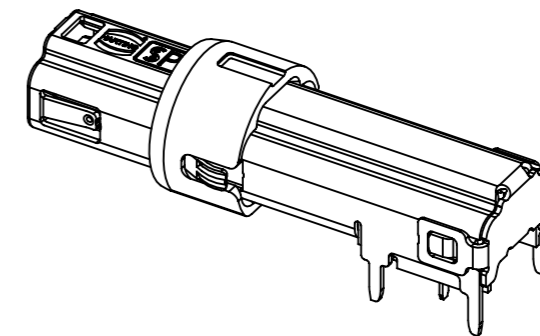
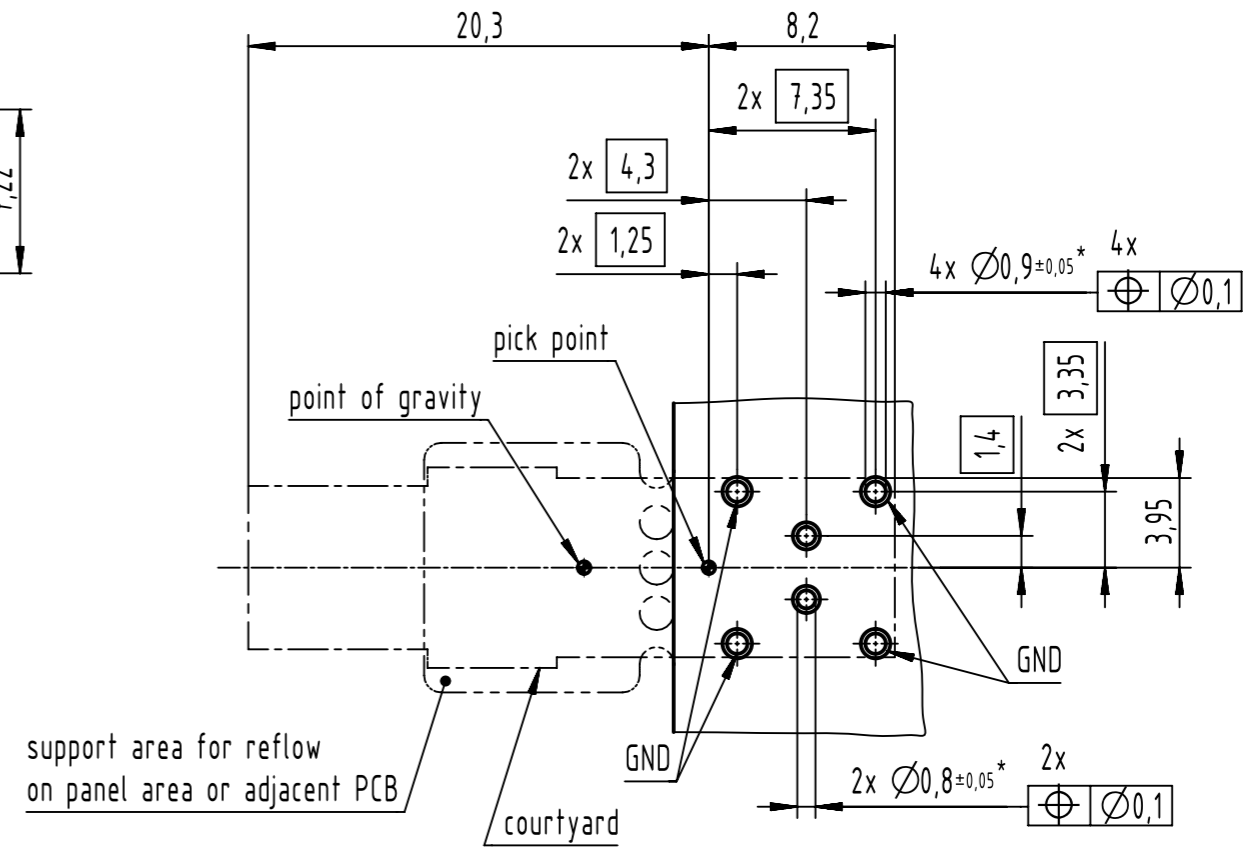
SW19
width across
flats 19

1 piece single package

	All rights reserved Department EL PD	All Dimensions in mm Original Size DIN A3		Scale 3:1	Free size tol.	Ref. Sub.
		Created by HASELOH	Inspected by LUETTERMANN	Standardisation	Date 2022-12-07	State Final Release
HARTING D-32339 Espelkamp		Title M12-PCB-THR-2PC-2P-SPE-F-ANG-SHLD			Doc-Key / ECM-Nr. 100692620/UGD/004/D 50000232007	
		Type TB	Number 21033394210		Rev. D	Page 1/2



A PCB layout



*) all holes are finished diameter

	All Dimensions in mm Original Size DIN A3		Scale 3:1	Free size tol.		Ref.	
	All rights reserved Department EL PD		Created by HASELOH	Inspected by LUETTERMANN	Standardisation	Date 2022-12-07	State Final Release
HARTING D-32339 Espelkamp		Title M12-PCB-THR-2PC-2P-SPE-F-ANG-SHLD				Doc-Key / ECM-Nr. 100692620/UGD/004/D 50000232007	
		Type TB	Number 21033394210		Rev. D	Page 2/2	